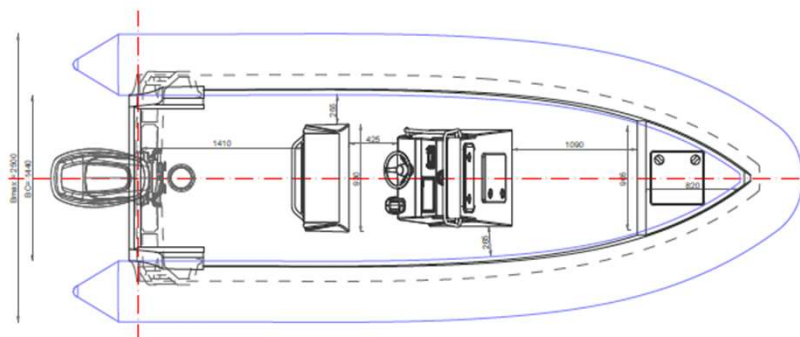




620 XV ALU



PROFESSIONNELS



Technical Specifications	
Overall length L H	6.39 m
Inside length	5.09 m
Overall width L H	2.49 m
Inside width	1.43 m
Number of chambers	5
Inflation valves	5
Buoyancy tube diameter	0.53 m
Light mass	1337 kg
Lightship weight	846 kg
Full load weight	2183 kg
Number of people en C	8
Engine	
Fuel	Petrol
Engine type	Outboard
Engine shaft	Ultra-Long
Max engine power	150 cv
Recommended engine power	<u>150 cv</u>
Max engine weight	210 kg

Layout

- hatches
- Console C800
- Bolster 1011
- Roll bar
- Tank 120 L
- engine DF 150 ATX SUZUKI